

# Glass Channel Kit

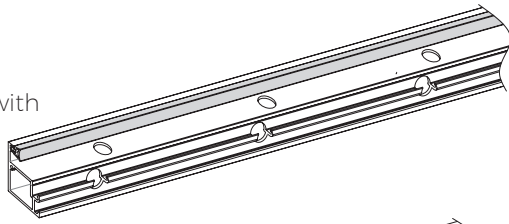
- Packed as a 12 ft. kit, including top and bottom channels, end caps, and gaskets
- Designed for Top and Side Mount applications
- Easy installation with removable Cover
- Full-frame glazing (4 sides) possible
- Suitable for 12mm glass



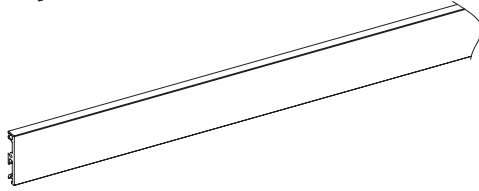
# Glass Channel Kit

## Included in kit

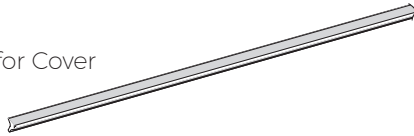
- A** (x2) 12 ft. Profile with attached Gasket



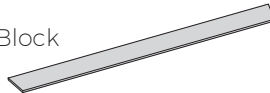
- B** (x2) 12 ft. Cover



- C** (x2) 12 ft. Gasket for Cover



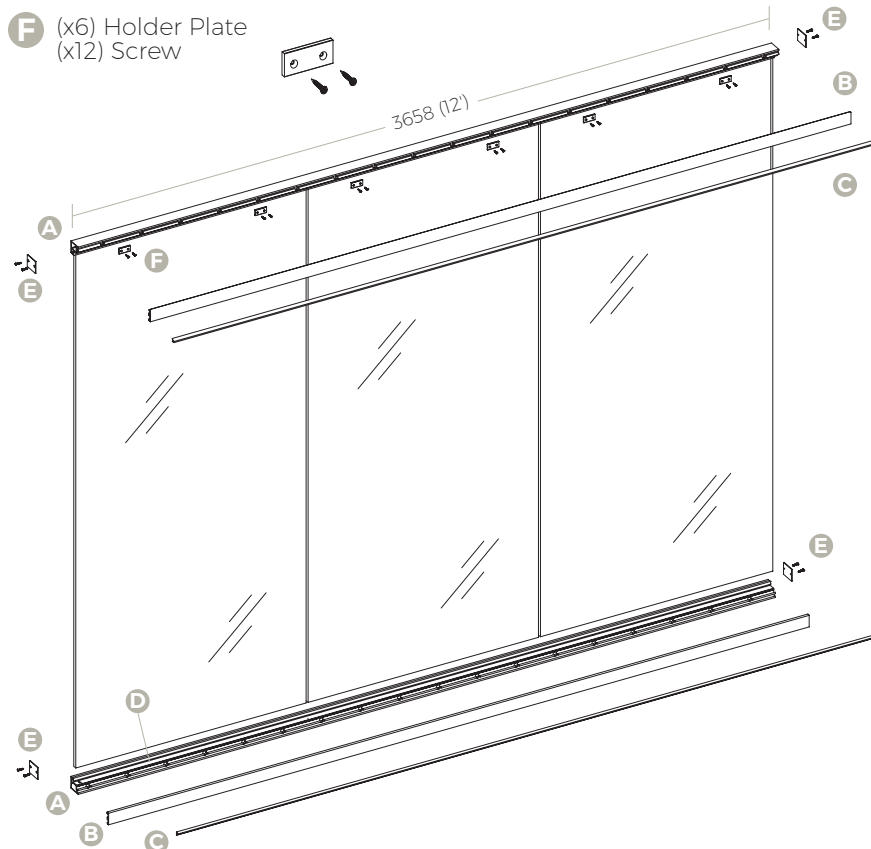
- D** (x1) 12 ft. Setting Block



- E** (x4) End Cap  
(x8) Screw



- F** (x6) Holder Plate  
(x12) Screw



**SSGWCH200**  
Clear Anodized Aluminum

**SSGWCH200B**  
Black Anodized Aluminum

