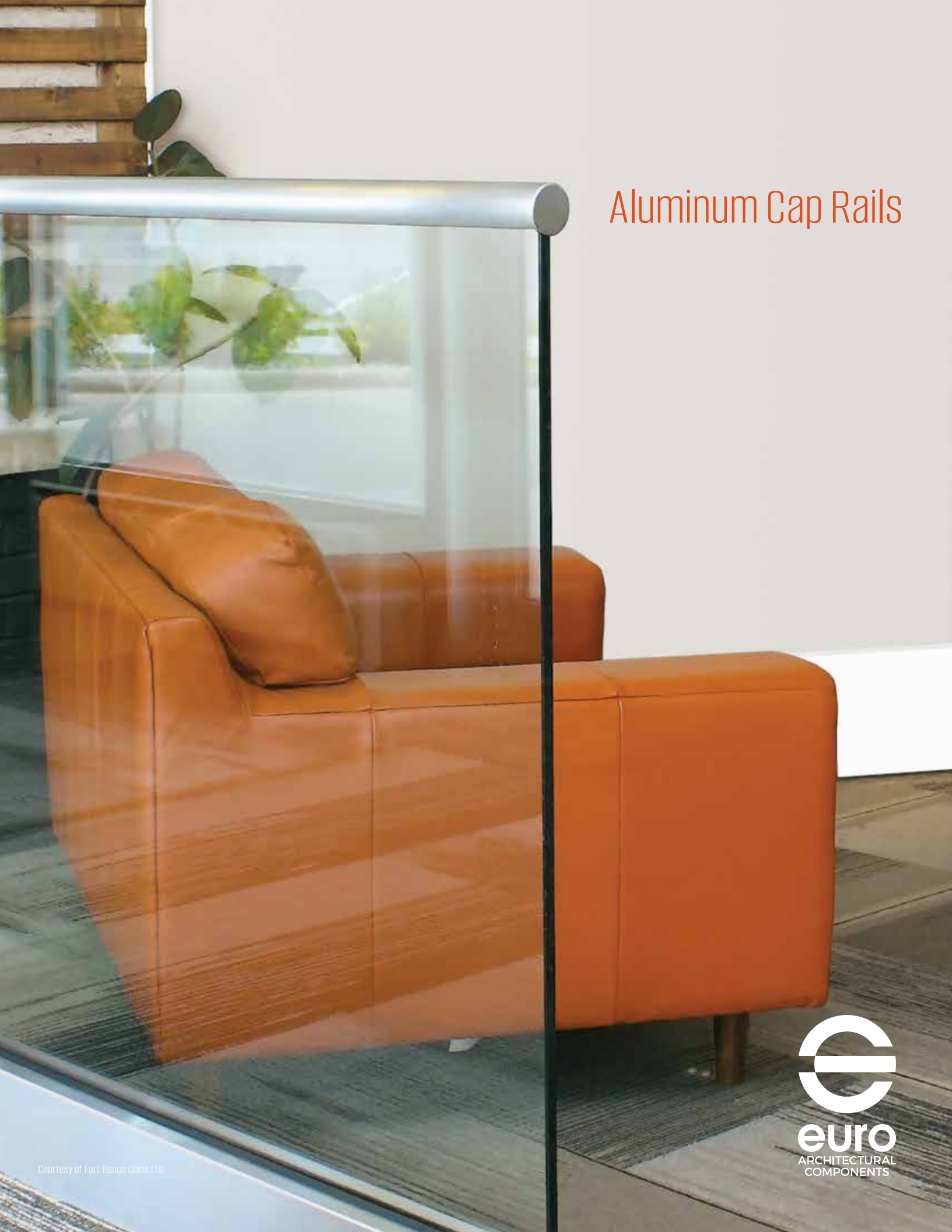


Aluminum Cap Rails



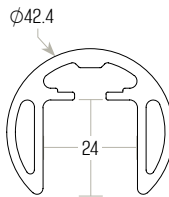
Courtesy of Fort Rouge Glass Ltd.



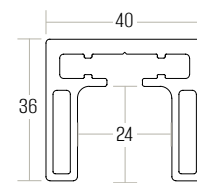
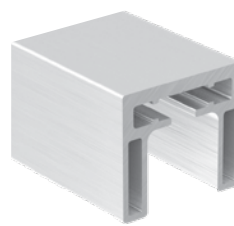
Features

- Brushed Anodized Aluminum 6063.
- Standard 19' lengths.
- Suitable for 10-21.52mm glass.

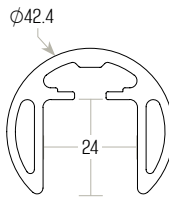
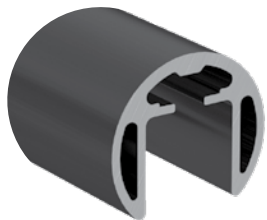
- Available in Clear and Black Anodized Aluminum finishes.
- Gaskets and full range of fittings available. Fasteners included.
- No welding required using our recommended SSRK-1500 adhesive.



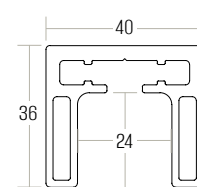
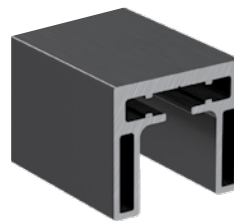
Cap Rail
SSUTALROCA
Clear Anodized Aluminum



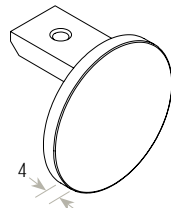
Cap Rail
SSUTALSOCA
Clear Anodized Aluminum



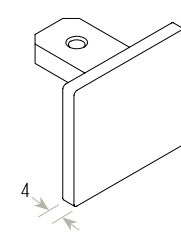
Cap Rail
SSUTALROB
Black Anodized Aluminum



Cap Rail
SSUTALSOB
Black Anodized Aluminum

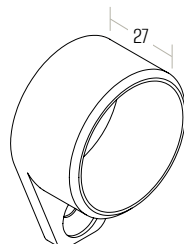


End Cap
SSUTALR1CA
Clear Anodized Aluminum



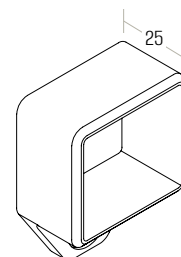
End Cap
SSUTALS1CA
Clear Anodized Aluminum

SSUTALS1B
Black Anodized Aluminum



Wall Bracket
SSUTALR2CA
Clear Anodized Aluminum

SSUTALR2B
Black Anodized Aluminum

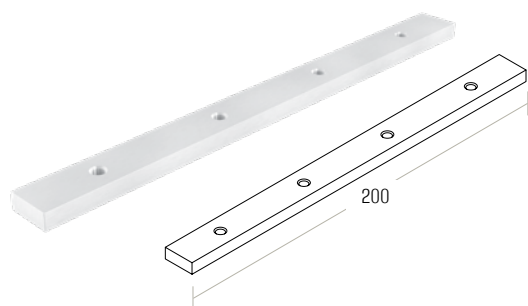
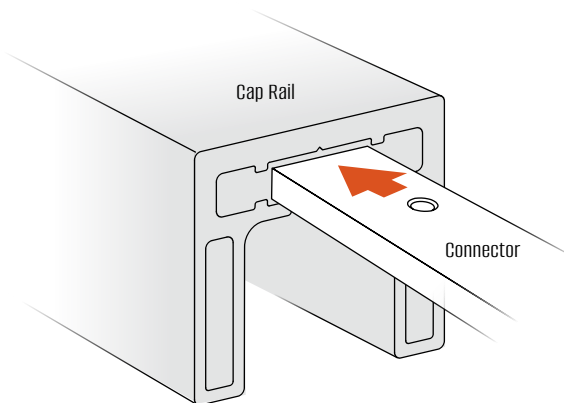
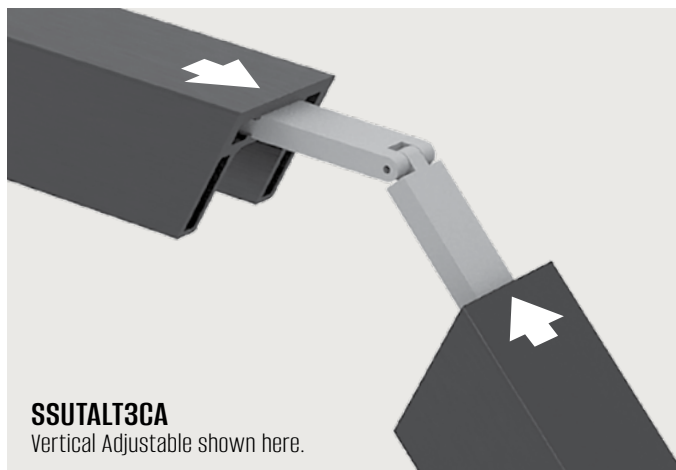


Wall Bracket
SSUTALS2CA
Clear Anodized Aluminum

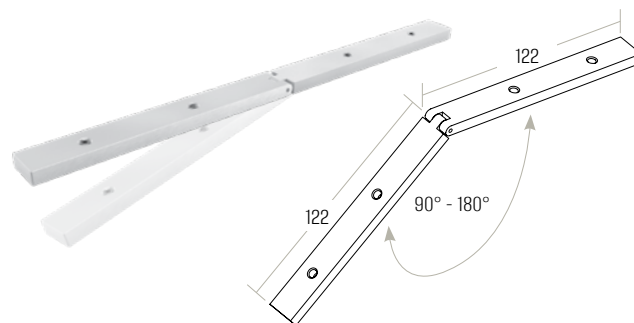
SSUTALS2B
Black Anodized Aluminum

Connectors

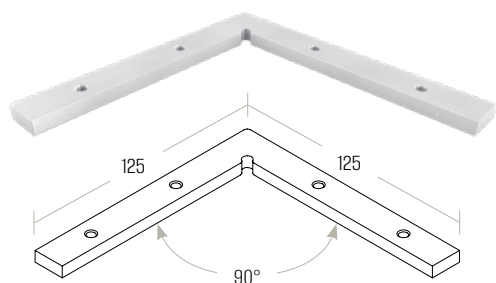
- Clear Anodized Aluminum. Used with either Round or Square Aluminum Cap Rails for both finishes.
- Connectors are inserted into the top slot of the Cap Rails to connect them together.
- Mitre Cap Rail ends to required angle, then slide connectors in place and push Cap Rails to fit. Tighten screws of connectors on both sides.



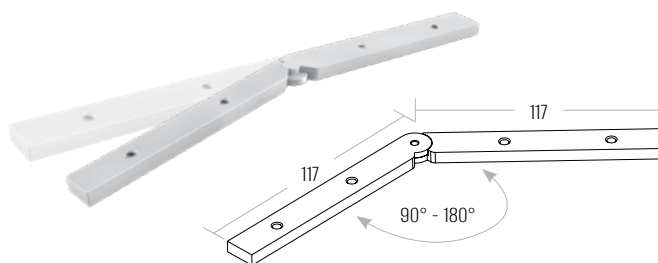
SSUTALT1CA - 180° Fixed



SSUTALT3CA - Vertical Adjustable



SSUTALT2CA - 90° Fixed



SSUTALT4CA - Horizontal Adjustable

Gaskets

PART #	GLASS SIZE	LENGTH
SSUTGASKET1	10-11mm	16'
SSUTGASKET2	12-13.52mm	19'
SSUTGASKET2A	15mm	19'
SSUTGASKET3	16-17.52mm	16'
SSUTGASKET3A	19mm	19'
SSUTGASKET4	20-21.52mm	16'



For more information, please visit our website. euroeac.com



Courtesy of Custom Glass Railings



Courtesy of Trueline Moulding Group Inc.



Courtesy of Top Glass Muskoka



Courtesy of Fort Rouge Glass Ltd.



A DIVISION OF RICHELIEU HARDWARE CANADA LTD.

TORONTO 127A Aviva Park Dr., Woodbridge, ON L4L 9C1 • T. 905 265.1093 • TF. 800 465.7143
MONTREAL 9015 rue Champ d'Eau, Montréal, QC H1P 3M3 • T. 514 325.7977 • TF. 866 574.7979
CALGARY 220-10 Stonehill Pl. NE, Calgary, AB T3N 1T7 • TF. 800 465.7143

euroeac.com